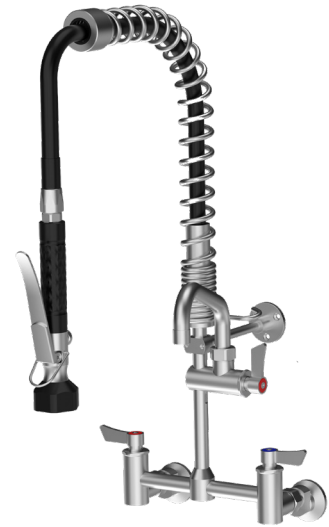
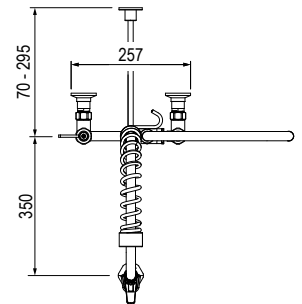


Product Information

- Full stainless steel construction for strength and durability
- Pre-assembled and bench tested with traceable serial number for quality assurance
- WaterMark certified and lead-free for safe and compliant installation
- “Soft touch” ¼-turn tap handles with ceramic cartridges for smooth operation
- Triplex hose construction – three-layer design (braided, flex metal, protective outer) for enhanced durability and hygiene
- Spray rinse head with swivel adjustment (blade to shower) and self-release trigger
- Supplied with choice of 150mm or 300mm pot filler spout
- 6 Star WELS rating (spray rinse head): 4.5LPM
3 Star WELS rating (pot filler): 8.0LPM
- **24-month warranty, parts and labour**


Specifications

Model	SPPL.SRWC.15	SPPL.SRWC.30
W x D x H (mm)	257 x 657 x 600*	257 x 657 x 600*
Pot Filler Spout	150mm	300mm
Weight	5kg	5kg
Packed W x D x H (mm)	425 x 780 x 100	425 x 780 x 100
Packed Weight	6kg	6kg
Water Supply Pressure	150 - 500kPa	150 - 500kPa
Recommended Maximum Operating Pressure	500kPa	500kPa
Water Supply Temperature	10°C - 80°C	10°C - 80°C


Legend

- A Cold Water Connection - 1/2 BSP
- B Hot Water Connection - 1/2 BSP
- C Pot Filler Spout - 150mm (+/- 5mm)
- D Pot Filler Spout - 300mm (+/- 5mm)

